

Radius Walk-In Fume Cupboards

Available as a Constant Volume, Variable Volume and recirculating model, Clean Air's Radius Profile Walk-in fume cupboards offer excellent containment. They are designed to be customised to individual applications. Choose bespoke features, services and materials to perfectly accommodate your process requirements.

These walk-in models are ideal for large quantities of mechanical and electrical services and typically feature a full-height double sliding sash arrangement. This facilitates the installation and removal of large apparatus and equipment for experiments, processes and scale-up. Bespoke sash designs for specialised applications can be added.

Available in a choice of lining materials there are also options for floor-mounted working levels with raised edges all around complete with a ramped front face, floor-mounted sump with removable grilles complete with a ramped front face and intermediate removable working levels with raised edges all around. There is also a large range of mechanical, electrical and data services.



All This as Standard

- Excellent containment levels
- Toughened glass sliding sash
- Interior liners & baffles from Trespa® TopLab® BASE solid grade laminate
- Fire resistant twin skin shell
- 316-grade stainless steel tissue guards
- Energy-efficient, long-life LED flat panel lighting
- Unique hinged panels for easy maintenance and inspection
- External carcass constructed from Zintec powder-coated mild steel
- Electrics pre-wired to an 8-way consumer unit complete with built-in RCBOs & MCBs
- 12-month warranty

01204 572900

sales@cleanairltd.co.uk

www.cleanairltd.co.uk



Radius Profile Walk-In Fume Cupboards

Controls

- Advanced programmable control panel
- Visible & audible alarms for air velocity, sash high and fan operation
- Alarm levels reported on the display
- Volt-free contacts for remote monitoring
- BACnet MS/TP & Modbus RTU available

Customise to Your Application

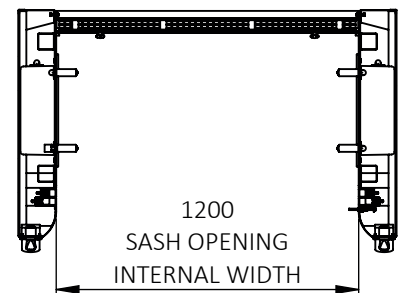
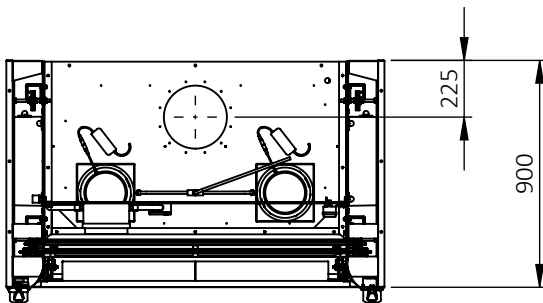
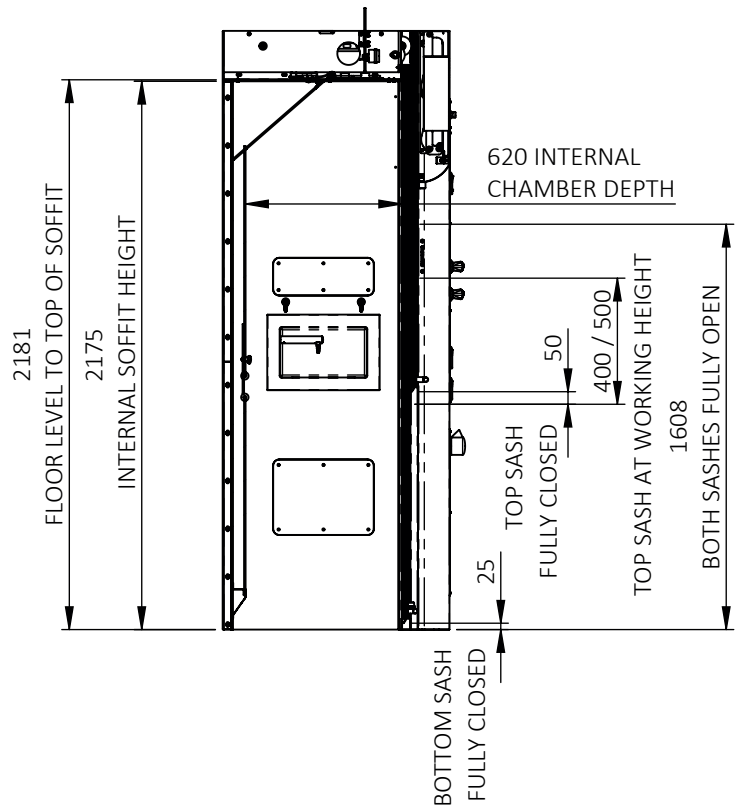
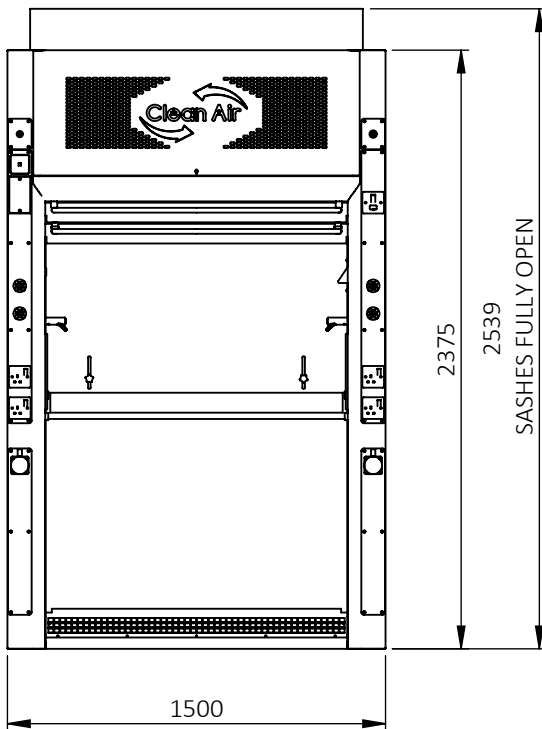
- Intermediate removable, mobile removable, and floor-mounted working level options
- Working levels available in Ceramic, Trespa® TopLab® PLUS, stainless steel, epoxy, or polypropylene
- Alternative sash configurations including triple sash and combination sash systems
- Constant Air Volume, Low Volume, or Variable Air Volume technology for energy efficiency
- Recirculating carbon-filtered systems where ductwork cannot be installed
- Automatic sash closure with PIR presence sensor
- Automatic fire suppression system (Dry powder, foam or CO2)
- Standard socket outlets, 3ph socket outlets, data sockets and emergency stop button
- Broen, Vacuubrand and Spectrolab mechanical services
- Wall-mounted recessed drip cups
- Scaffold bosses and full scaffold frame systems
- Pass-through ports
- Cosmetic infill panels to hide ductwork
- A wide range of RAL colours to colour match your fume cupboard to your branding

Radius Profile Fume Cupboard Dimensions

External Width	1000mm	1200mm	1500mm	1800mm	2000mm	2400mm
External Height	2375mm					
External Depth	900mm					
Internal Width	700mm	900mm	1200mm	1500mm	1700mm	2100mm
Internal Height	2175mm (Worktop To Soffit)					
Chamber Depth	620mm (Sash To Baffle)					
Max Sash Opening Height	1608mm					

Extract Volumes

	Face Velocity	1000mm	1200mm	1500mm	1800mm	2000mm	2400mm
Extract Volumes at a 400mm sash opening	0.4m/s	0.135m³/s	0.173m³/s	0.231m³/s	0.288m³/s	0.327m³/s	0.404m³/s
	0.5m/s	0.168m³/s	0.216m³/s	0.288m³/s	0.36m³/s	0.408m³/s	0.504m³/s
Extract Volumes at a 500mm sash opening	0.4m/s	0.168m³/s	0.216m³/s	0.288m³/s	0.36m³/s	0.408m³/s	0.504m³/s
	0.5m/s	0.21m³/s	0.27m³/s	0.36m³/s	0.45m³/s	0.51m³/s	0.63m³/s



01204 572900

sales@cleanairltd.co.uk

www.cleanairltd.co.uk

Service & Maintenance

A Clean Air service includes much more than simply face velocity testing - ask us for details.

- Options to lock in prices - Free 5-year extended warranty with a 5-year service package*
- Highly trained, DBS-checked test engineers
- Never over-run your test date with our free scheduling service
- Most makes and models of fume cupboard serviced

*T&Cs apply, see website.