



Clean Air
Fume Cupboards

The Science of Fume Containment



APEX-5 Fume Cupboards



ISO 9001
ISO 14001
ISO 45001

 **MADE IN
BRITAIN**



Developed in collaboration with a leading Russell Group university, the APEX-5 Premium Fume Cupboard combines a spacious working area with the practicality of side-mounted services. Its narrow twin-skin side walls provide a wider internal chamber than a conventional twin-skin design—an 1800mm wide APEX-5 delivers more usable workspace than a standard 2000mm-wide fume cupboard, while maintaining generous height and depth.

Mechanical service outlets can be conveniently mounted within the side panels, supporting traditional lab workflows and offering a flexible layout.

The energy-efficient Variable Air Volume (VAV) model includes a fixed glass panel above the sliding sash for full-height chamber visibility. Constant Air Volume (CAV) units feature an aluminium bypass grille.

Design & Performance

The curved radius-profile entrance improves airflow behaviour and boosts operator protection, even at low face velocities down to 0.3m/s. Independently tested to BS EN 14175, the APEX-5 delivers exceptional results, achieving a Robustness of Containment Protection Factor (PFR) of 1,300,000 on an 1800mm unit at 0.3m/s.

It meets the highest level of the new BS EN 14175 Typical Containment Settings - Setting A, at 0.3m/s. This confirms it is ideal for high-hazard environments such as research laboratories and industrial facilities.

All This as Standard

- Carcass constructed from polyester-coated zintec steel
- Interior liners & baffles from Trespa® TopLab® BASE solid grade laminate
- Electrics pre-wired to a 5-way consumer unit complete with built-in RCBOs & MCBs
- Energy-efficient, long-life LED flat panel lighting.
- Cast epoxy worktop with raised edges
- Visual and audible low airflow alarm
- 316-grade stainless steel hinged lower aerofoil for cable entry
- 316-grade stainless steel tissue guards to prevent debris from being drawn into the extract ductwork
- Hinged drop-down upper panel for quick, easy maintenance and inspection
- State-of-the-art appearance
- 12-month free warranty

Controls

- Advanced programmable control panel
- Alarms for air velocity, sash high, and fan operation
- Alarm levels reported on the display
- BACnet MS/TP and Modbus RTU available

Customise to your application

- Bench-mounted and walk-in models available
- Variable Air Volume (VAV) technology for energy efficiency, Constant Air Volume (CAV), and Low Flow designs
- Bespoke and larger size units are available on request – tell us your preferred dimensions
- Recirculating carbon-filtered systems where ductwork cannot be installed
- Automatic sash closure with PIR presence sensor
- Automatic fire suppression system (dry powder, CO2, or foam)
- Worktops from cast epoxy, Trespa® TopLab® PLUS, ceramic, stainless steel, polypropylene or PVC-u
- Broen water and gas, Spectrolab specialist gas, and Vacuubrand services
- Drip cups, wall-mounted recessed drip cups, and sinks
- Standard single socket outlets, commando socket outlets, data sockets and emergency stop button
- Alternative sash configurations, including framed sash and framed sash with horizontal sliding panels
- Internal liners from Trespa® solid grade laminate, PVC-u, polypropylene, or stainless steel
- Scaffold bosses (polypropylene or stainless steel) and scaffold frames
- Polypropylene tissue guards
- Standard steel storage cupboards, polypropylene acid storage cupboards, fire-rated solvent storage cupboards or vac pump cupboards
- Pass through ports in side panels or from front panel into the chamber
- Anti-shatter film for glass panels
- Colour matching to your branding in RAL colours

Servicing

A Clean Air service includes much more than simply face velocity testing – ask us for details

- Full service and maintenance packages available
- Options to lock in prices
- Highly trained test engineers
- Never over-run your test date with our free test scheduling service
- Most makes and models of fume cupboard serviced

APEX-5 Fume Cupboards Technical Specification



The APEX 5 comes in standard sizes, and can also be manufactured to your bespoke size requirements – just ask us for more information

Dimensions APEX 5

External width	1000mm	1200mm	1500mm	1800mm	2000mm	2400mm
External height	2650mm					
External depth	900mm					
Chamber width	920mm	1120mm	1420mm	1720mm	1920mm	2320mm
Chamber Height	1280mm (Worktop to Soffit)					
Chamber depth	640mm (Sash to Baffle)					
Sash Opening Width	700mm	900mm	1200mm	1500mm	1700mm	2000mm
Max Sash Opening Height	790mm					

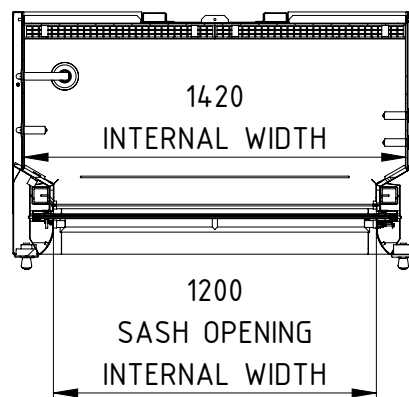
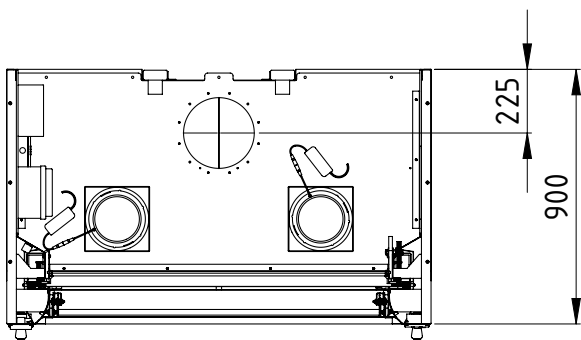
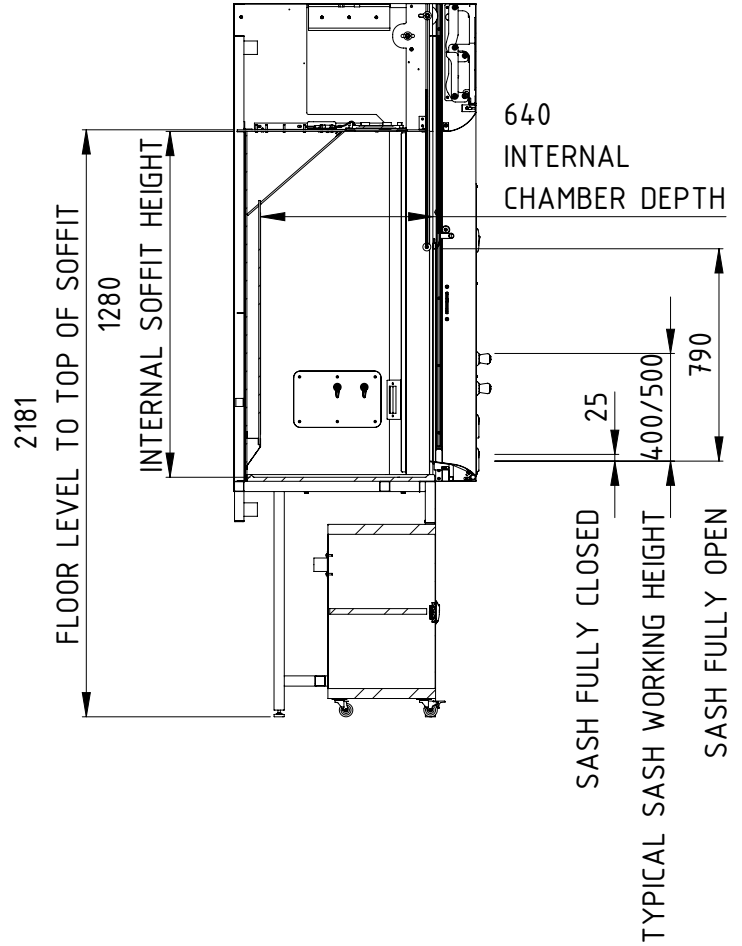
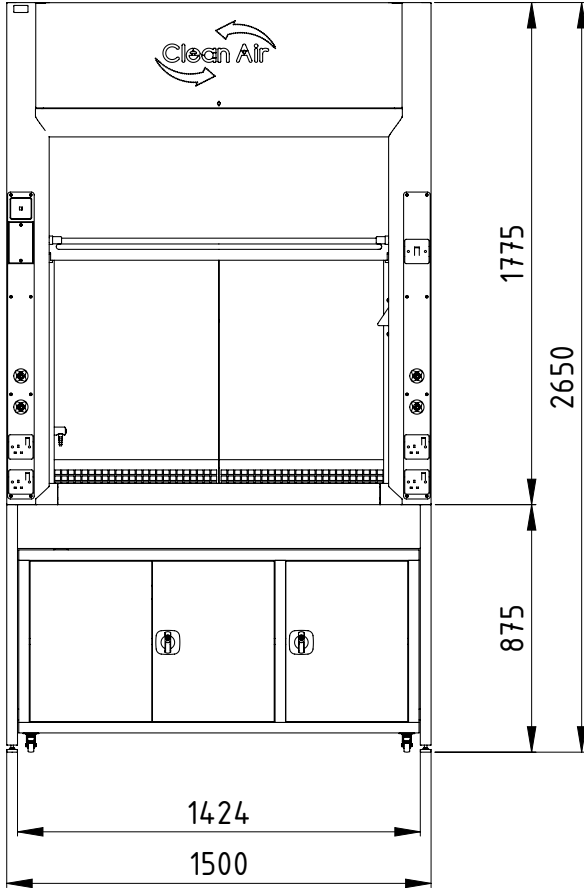
Extract Volumes

	Face Velocity	1000mm	1200mm	1500mm	1800mm	2000mm	2400mm
Extract Volumes at a 400mm sash opening	0.3m/s	0.101m ³ /s	0.130m ³ /s	0.173m ³ /s	0.216m ³ /s	0.245m ³ /s	0.303m ³ /s
	0.35m/s	0.118m ³ /s	0.152m ³ /s	0.202m ³ /s	0.252m ³ /s	0.286m ³ /s	0.353m ³ /s
	0.4m/s	0.135m ³ /s	0.173m ³ /s	0.231m ³ /s	0.288m ³ /s	0.327m ³ /s	0.404m ³ /s
	0.5m/s	0.168m ³ /s	0.216m ³ /s	0.288m ³ /s	0.360m ³ /s	0.408m ³ /s	0.504m ³ /s
Extract Volumes at a 500mm sash opening.	0.3m/s	0.126m ³ /s	0.162m ³ /s	0.216m ³ /s	0.270m ³ /s	0.306m ³ /s	0.378m ³ /s
	0.35m/s	0.147m ³ /s	0.189m ³ /s	0.252m ³ /s	0.315m ³ /s	0.357m ³ /s	0.441m ³ /s
	0.4m/s	0.168m ³ /s	0.216m ³ /s	0.288m ³ /s	0.360m ³ /s	0.408m ³ /s	0.504m ³ /s
	0.5m/s	0.210m ³ /s	0.270m ³ /s	0.360m ³ /s	0.450m ³ /s	0.510m ³ /s	0.630m ³ /s

APEX-5 Fume Cupboards Technical Specification



The Science of Fume Containment



☎ 01204 572900
✉ sales@cleanairltd.co.uk
🌐 www.cleanairltd.co.uk

The contents of this document are the property of Clean Air Ltd and are copyright. Clean Air Ltd reserves the right to change any part of this document without notice at any time. While Clean Air makes every reasonable effort to ensure that this material is accurate, Clean Air accepts no liability for technical inaccuracies or typographical errors.